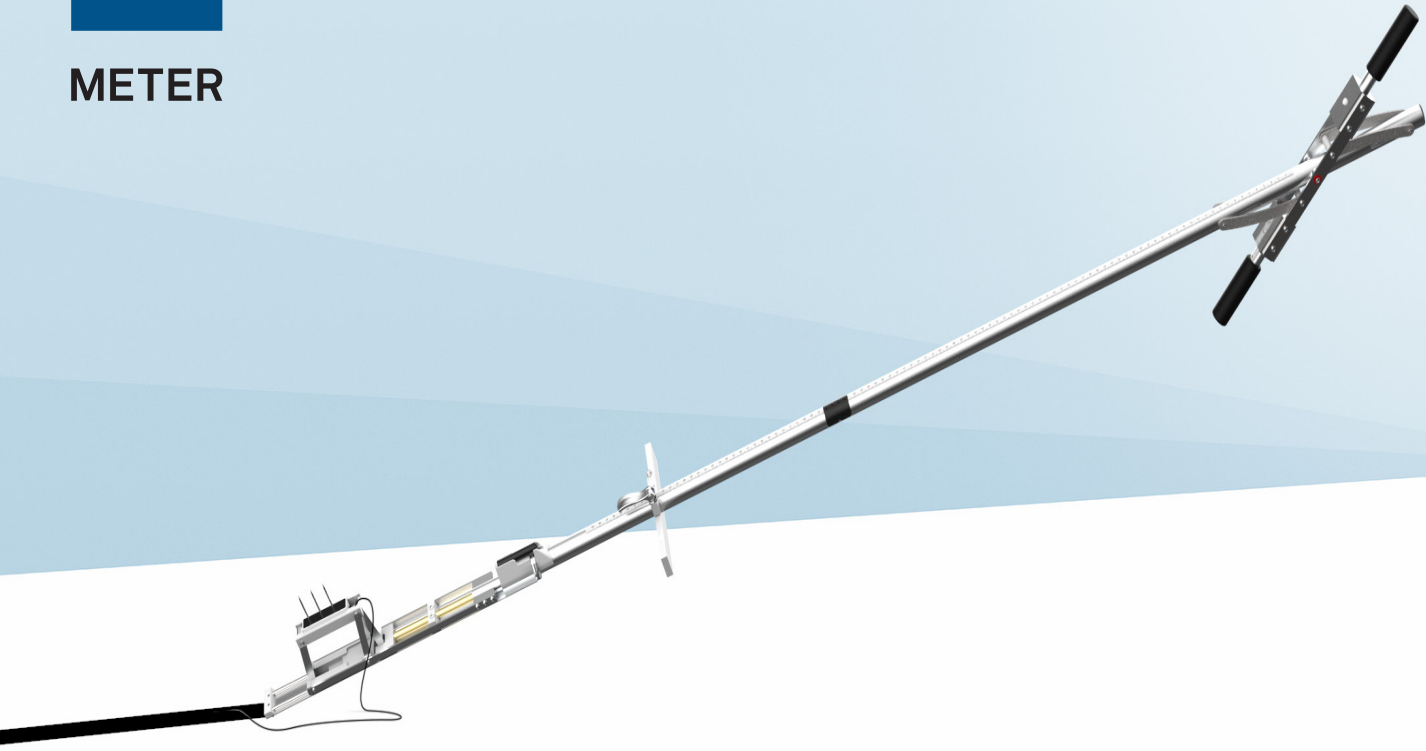




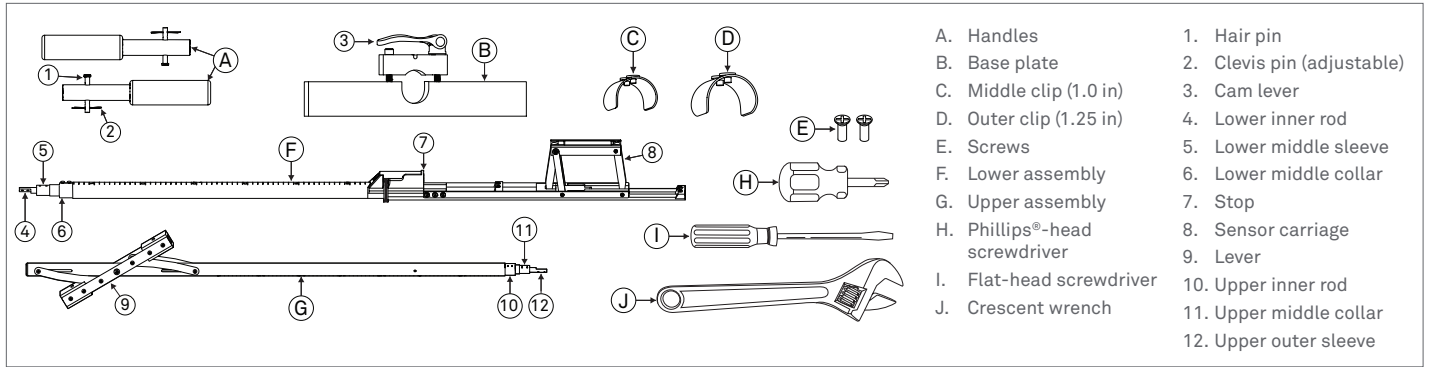
METER

TEROS BOREHOLE INSTALLATION TOOL

RENTAL RETURN INSTRUCTIONS



TEROS BIT RENTAL RETURN INSTRUCTIONS



DISASSEMBLE TEROS BIT

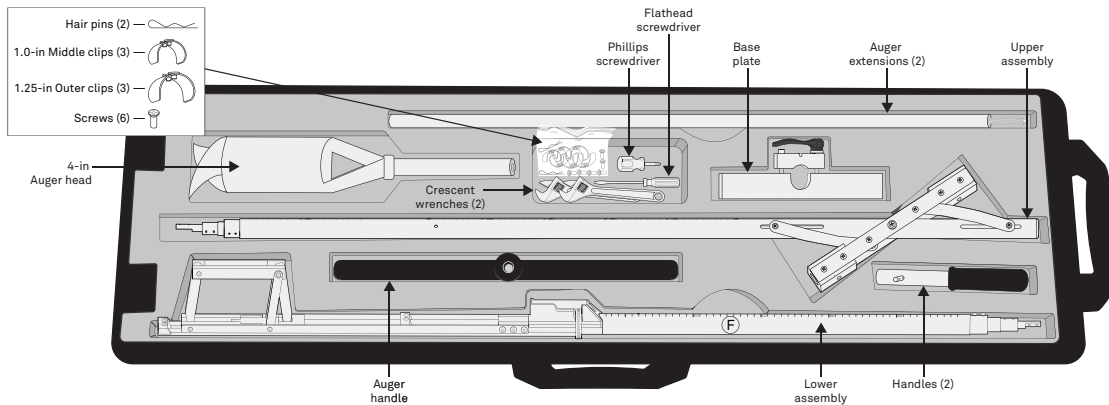
Follow the instructions in the TEROS BIT [assembly instructions](http://metergroup.com/environment/products/teros-installation-tool/) (metergroup.com/environment/products/teros-installation-tool/) to disassemble.

CLEAN AUGER AND TEROS BIT

1. Clean auger and TEROS BIT to remove any soil with water spray and dry.
2. If there is soil in the case, remove with a shop vacuum.

RETURN ALL PARTS TO CASE

1. Refer to the figure to return all parts to the correct location.
2. Close the case and make sure all latches are securely fastened.



RETURN TEROS BIT TO METER GROUP

1. Place return shipping label (provided) directly over the original shipping label.
2. Take the case to a local FedEx® courier office or arrange a pickup.



